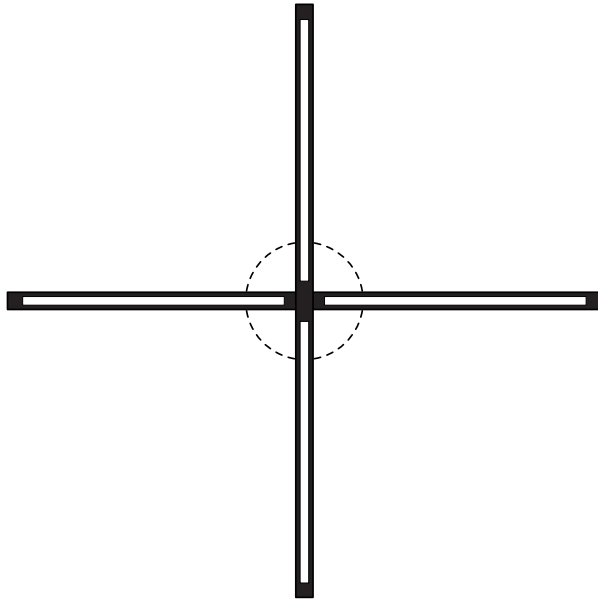


AlexAllen
Studio

2x4 Plus Collection

Installation and Product Guide
(Small, medium, large, and custom)



CAUTION: Electric shock risk. Turn off electrical power at breaker before beginning installation. We recommend this product be installed by a qualified electrician only.

Installation Instructions

(1) Attach **ceiling plate** to ceiling **junction box** with junction box screws.

(2) Slide **piece 02 (x4)** along the length of the suspension **cables** towards the end stopper and thread it into the **insert**, locking the end stopper in place.

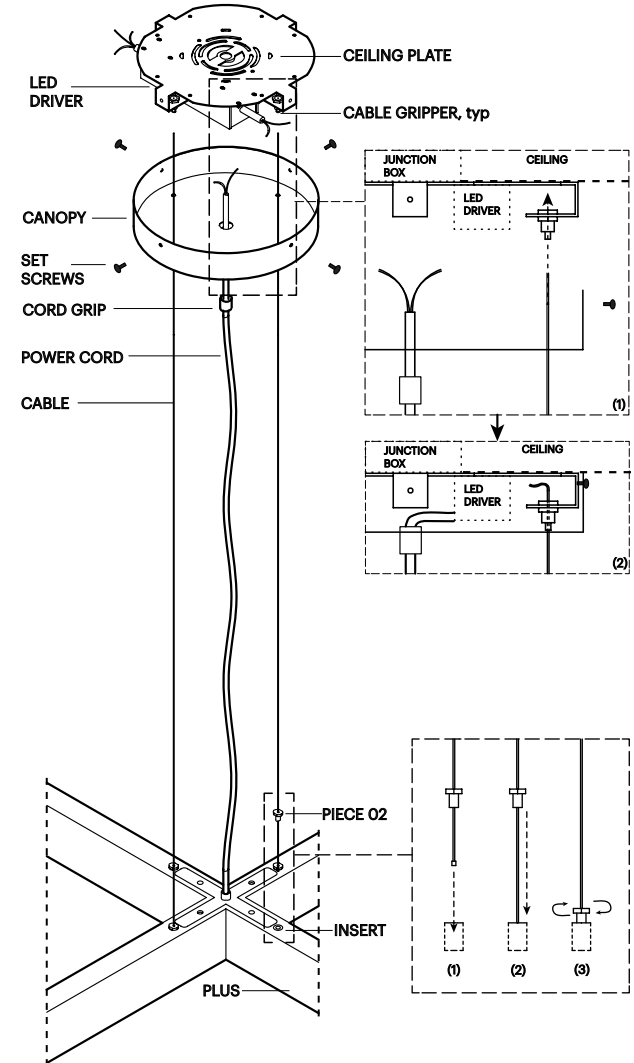
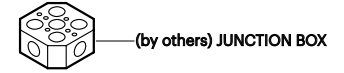
(3) feed the ends of the suspension **cables** into the holes in the **canopy** and into the **cable grippers**. Pull cables to the desired length and ensure the light is level. Trim the ends of the cables with approved cable cutters.

(5) Feed the end of the **power cord** into the large hole in **canopy** and trim, leaving some extra length.

(6) Connect electrical wire ends to **led driver** output (red, black). Connect **led driver** input to cable ends in **junction box**. Connect green ground wire to grounding screw. (120V INPUT 60Hz ONLY!)

(6) Slide the **canopy** to the top of the suspension cables and secure it to the ceiling plate with **set screws (x4)**

(7) Position **cord grip** onto **power cord** at the desired length and close. Push **cord grip** into the **canopy**.



AlexAllen Studio LLC
T: +1 (917) 909-0405
info@alexallenstudio.com
www.alexallenstudio.com

Dimmer Compatability

Lutron

DVCL-152P-WH
DVELV-303P
HQRD-6A
HQRD-6NA
MRF2-6ELV-120-WH
NTELV-600-WH
NVELV-600-WH
SELV-600-WH
MRF2-6ELV-120-WH
VTELV-600 XXX
NTELV-300
MAELV-600
MSCELV-600M
MIRELV-600
MRF2-6ELV-120

Leviton

Model 6615
Model 6672
Model 6674/IPL06
Model IPE04
Model IPI06
Model VP106
Model VPE04
Model VPM06
Model VRE04
Model VRM10

Skylark

CTELV-303P
SELV-300P

Crestron

CLS-C6
CLS-C6M
CLS-C6EX
CLS-C6MEX
CLS-C6MRF
CLS-C6RF
CLS-EXP-DIM
CLS-EXP-DIMU
CLX-1DIM4
CLX-1DIM8
CLX-2DIM2
CLX-2DIM8
CLX-1DELV4
DIN-1DIM4
DIN-1DIMU4

CLW-DIMEX-E
CLW-DIMEX-P
CLW-DIMSWEX-E
CLW-DIMSWEX-P
P-DIMEX
GLX-DIM6
GLXX-2DIM8
CLW-DELVEX-E
CLW-DELVEX-P